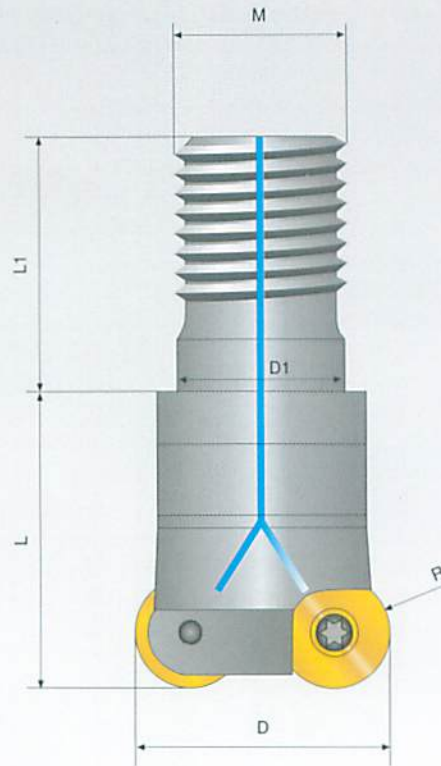
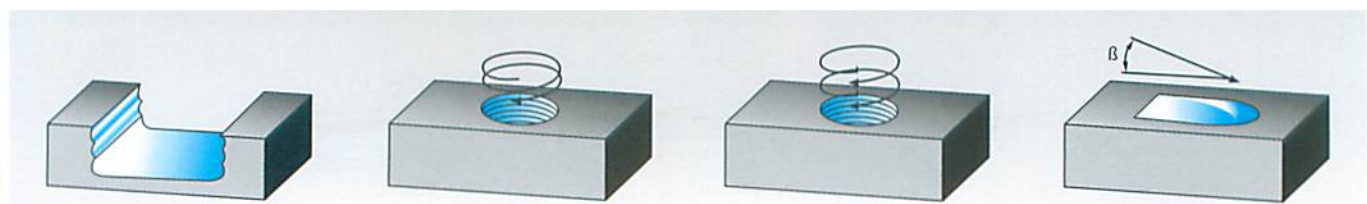


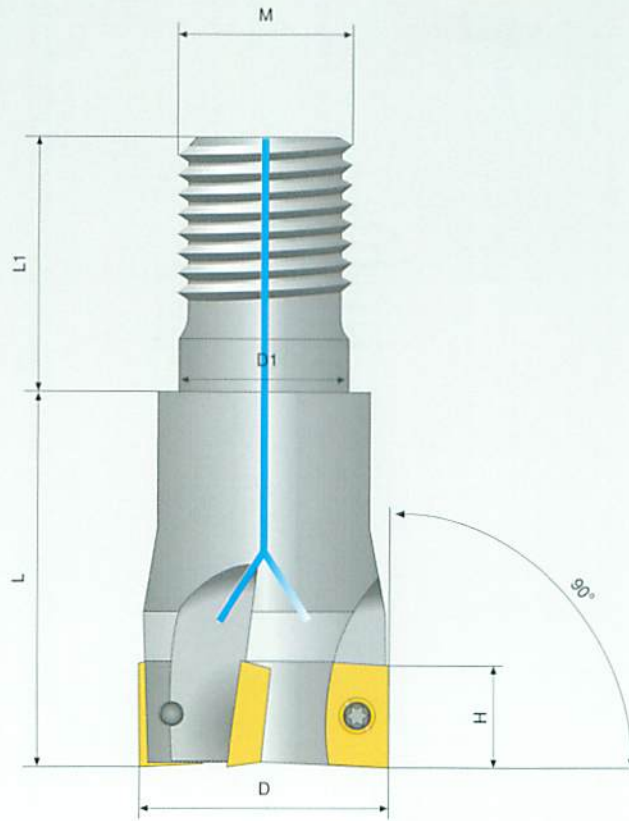
MOULD 800



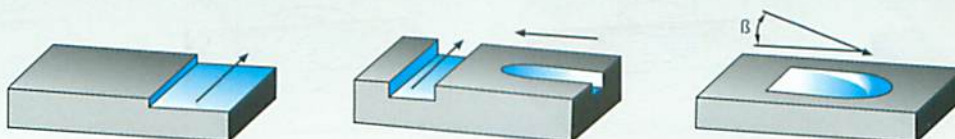
rif.								dimensioni in mm		Inserti - Insert Plaquettes - Wpl	Vite - Screw Vis - Schraube	Chiave - Key Clef - Schlüssel
805	ϕD	L	M	D1	L1	R	Z					
805.016.307	16	23	8	8,5	17,5	3,5	3	RDMW RDHX 0702MOT	1001P	2008		
805.020.407	20	30	10	10,5	20	3,5	4					
rif.								dimensioni in mm		Inserti - Insert Plaquettes - Wpl	Vite - Screw Vis - Schraube	Chiave - Key Clef - Schlüssel
810	ϕD	L	M	D1	L1	R	Z					
810.020.210	20	30	10	10,5	20	5	2	RDMW RDHX 1003MOT	1035	2015		
810.025.210	25	35	12	12,5	22	5	2					
810.025.310	25	35	12	12,5	22	5	3					
810.032.410	32	43	16	17	24	5	4					
rif.								dimensioni in mm		Inserti - Insert Plaquettes - Wpl	Vite - Screw Vis - Schraube	Chiave - Key Clef - Schlüssel
815	ϕD	L	M	D1	L1	R	Z					
815.025.212	25	35	12	12,5	22	6	2	RDMW RDHX 12T3MOT	1035	2015		
815.032.312	32	43	16	17	24	6	3					
rif.								dimensioni in mm		Inserti - Insert Plaquettes - Wpl	Vite - Screw Vis - Schraube	Chiave - Key Clef - Schlüssel
820	ϕD	L	M	D1	L1	R	Z					
820.025.212	25	35	12	12,5	22	6	2	RPMW RPMT 1204MOT	1004	2015		
820.032.312	32	43	16	17	24	6	3					



MOULD 800



rif. dimensioni in mm								Inerti - Insert Plaquettes - Wpl 	Vite - Screw Vis - Schraube 	Chiave - Key Clef - Schlüssel
830	ϕD	L	M	D1	L1	H	Z	APKT 1003	1001	2008
830.016.210	16	25	8	8,5	17,5	10	2			
830.020.310	20	30	10	10,5	20	10	3			
830.025.310	25	35	12	12,5	22	10	3			
830.025.410	25	35	12	12,5	22	10	4			
830.032.510	32	43	16	17	24	10	5			
rif. dimensioni in mm										
832	ϕD	L	M	D1	L1	H	Z	APKT 1604 PDR	1003	2015
832.025.216	25	35	12	12,5	22	16	2			
832.032.316	32	43	16	17	24	16	3			



Art. **MOULD 800**

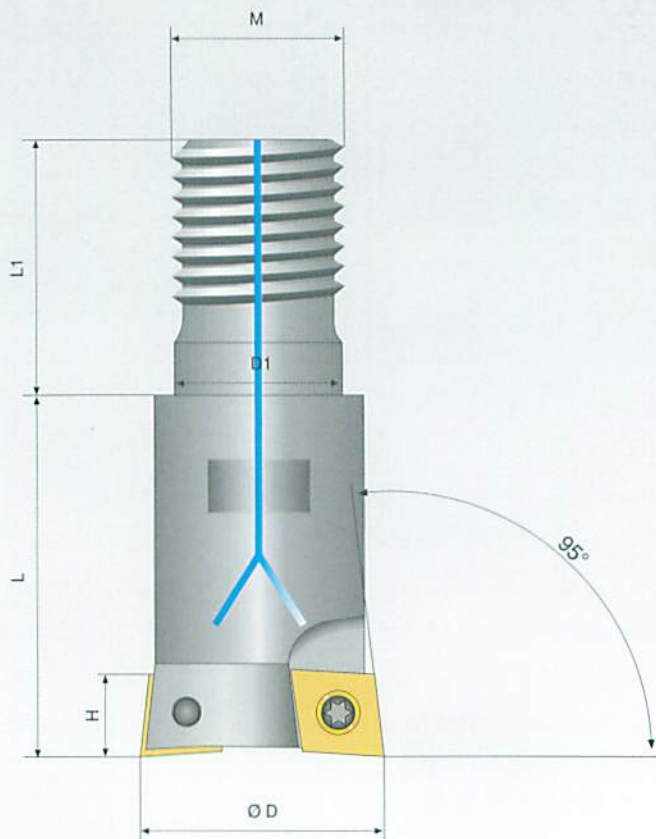
840 - frese filettate per copiatura e contornatura (95°)

840 SCREW-ON ROUTING AND COPYING END MILLS (95°)

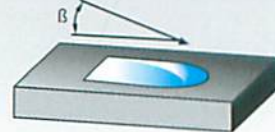
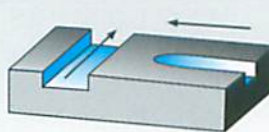
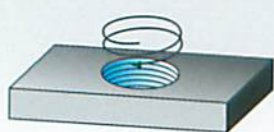
840 FRAISES AVEC QUEUE FILETÉ À COPIER ET CONTOURNER (95°)

840 KOPIER-UND KONTURBEARBEITUNGS-EINSCHRAUBFRÄSER (95°)

MOULD 800



rif.	dimensioni in mm							Inserti - Insert Plaquettes - Wpl	Vite - Screw Vis - Schraube	Chiave - Key Clef - Schlüssel
	ØD	L	M	D1	L1	H	Z			
840										
840.016.206	16	23	8	8,5	17,5	6,5	2	XDHW 0206	1001	2008
840.020.306	20	30	10	10,5	20	6,5	3			
840.025.306	25	35	12	12,5	22	6,5	3			



PREISE abzüglich 55% Rabatt

Art. MOULD 805	Bezeichnung	Preis € / Stk.
805.020.407	FRESA FILETTATA D.20 Z=4 Ins. RD 07	156,00

Art. MOULD 810-815-820	Bezeichnung	Preis € / Stk.
810.020.210	FRESA FILETTATA D.20 Z=2 Ins. RD 10	140,00
810.025.310	FRESA FILETTATA D.25 Z=3 Ins. RD 10	146,00
810.032.410	FRESA FILETTATA D.32 Z=4 Ins. RD 10	184,00
815.025.212	FRESA FILETTATA D.25 Z=2 Ins. RD 12	146,00
815.032.312	FRESA FILETTATA D.32 Z=3 Ins. RD 12	169,00
820.025.212	FRESA FILETTATA D.25 Z=2 Ins. RP 12	146,00
820.032.312	FRESA FILETTATA D.32 Z=3 Ins. RP 12	169,00

Art. MOULD 830-832	Bezeichnung	Preis € / Stk.
830.016.210	FRESA FILETTATA D.16 Z=2 Ins. APKT10	125,00
830.020.310	FRESA FILETTATA D.20 Z=3 Ins. APKT10	146,00
830.025.310	FRESA FILETTATA D.25 Z=3 Ins. APKT10	157,00
830.025.410	FRESA FILETTATA D.25 Z=4 Ins. APKT10	169,00
830.032.510	FRESA FILETTATA D.32 Z=5 Ins. APKT10	184,00
832.025.216	FRESA FILETTATA D.25 Z=2 Ins. APKT16	152,00
832.032.316	FRESA FILETTATA D.32 Z=3 Ins. APKT16	174,00

Art. MOULD 840	Bezeichnung	Preis € / Stk.
840.016.206	FRESA FILETTATA D.16 Z=2 Ins. XDHW02	135,00
840.020.306	FRESA FILETTATA D.20 Z=3 Ins. XDHW02	156,00
840.025.306	FRESA FILETTATA D.25 Z=3 Ins. XDHW02	177,00